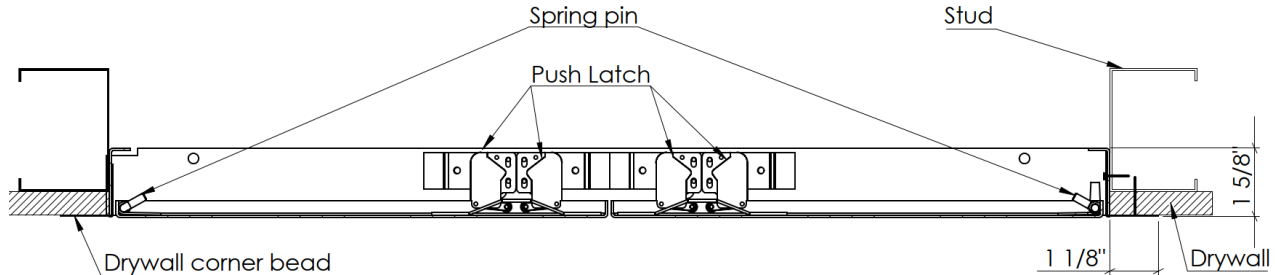


REMOVABLE DOUBLE LEAF ACCESS PANEL WITH PERFORATED GYPSUM FRAME

EDG-GYP-180

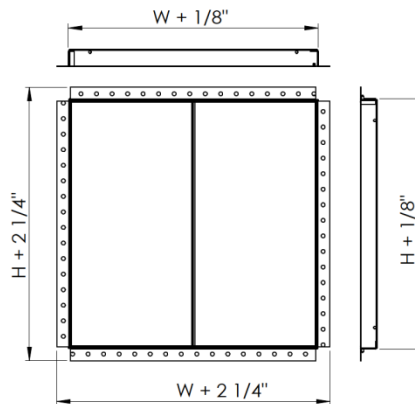
INSTALLATION



DIMENSIONS AND APPEARANCE

LEED ready: This product contributes to LEED® credits.

DOOR SIZE W x H inches (MM)	WEIGHT	
	LBS	KG
* 20" X 20" (508 x 508)	12.1	5.5
* 22" X 22" (558 x 558)	13.4	6.1
* 22" X 30" (558 x 762)	18.6	8.4
* 22" X 36" (558 x 914)	21.9	9.9
* 24" X 24" (609 x 609)	16.05	7.3



Your odd sizes:
Made in 5 days

*Doors >12" X 12" have 2 concealed push-button latches.

Opening = door size + 1/4" or +6mm

DESCRIPTION AND MATERIAL SPECIFICATION

CENDREX PARTNERS

- Conception:** Double doors
- Material:** 16 gauge cold rolled steel
- Hinge:** Concealed pivot and spring hinge
- Lock:** Concealed push-button latches
- Finish:** High quality white powder primer
- Packaging:** Individually wrapped, 1 per box

- POPULAR OPTIONS** For complete list of options go to: www.cendrex.com
- Material:** stainless steel, satin steel
- Cable:** Safety cable



PROJECT DATA

PROJECT NAME:	QTY	W	H	OPTIONS
ARCHITECT:				
DEALER:				
CONTRACTOR:				
LOCATION:	SPECIAL INSTRUCTIONS:			
DATE:				
TAGGING INSTRUCTIONS:	SUBMITTAL APPROVAL: (signature or stamp)			

HEAD OFFICE: 11 303, 26th avenue, Montreal, Quebec, Canada H1E 6N6
WAREHOUSES: California, Colorado, Florida, Illinois, Pennsylvania, Texas

Tel.: 514 493-1489 - 1 800 479-1489
Fax: 514 493-1992 - 1 800 297-1489

www.cendrex.com
info@cendrex.com