

TECHNICAL DATA SHEET • SPECIFICATIONS

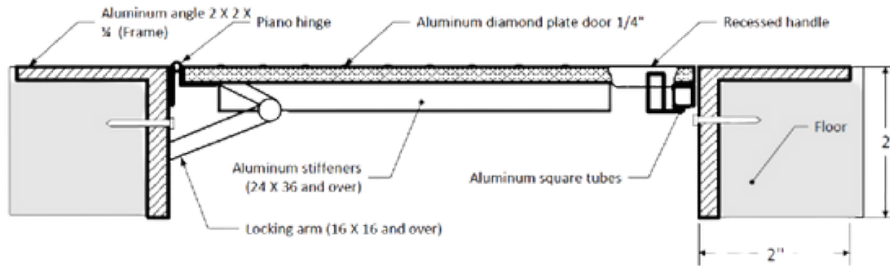
FLUSH ALUMINUM FLOOR HATCH WITH EXPOSED FLANGE

Recessed handle-operated cam latch, heavy-duty piano hinge

PPA-00

INSTALLATION

Technical drawing PPA-00



STANDARD DIMENSIONS AND APPEARANCE

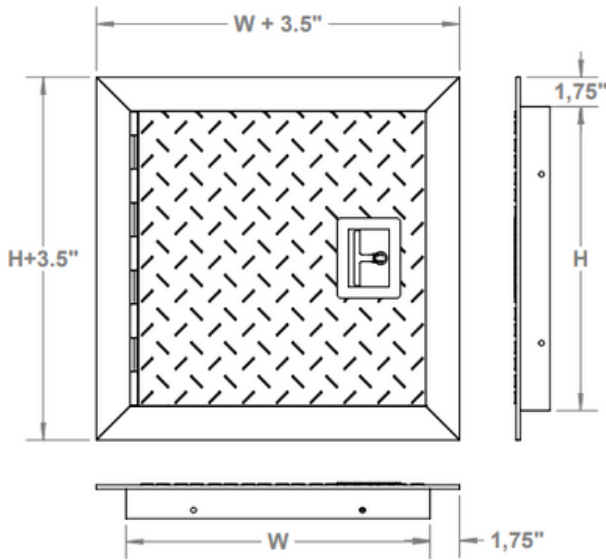
Dimensions • W X H		Number of locks	Weight	
inches	mm		lbs	KG
24 x 24	609 x 609	1	36.0	16.3
24 x 36	609 x 914	1	47.2	21.4

Your odd sizes: Made in 10 days

Rough floor opening is hatch size + 1/2" or + 13 mm

OTHER TECHNICAL INFORMATION

The PPA floor access door is designed to support a live load of 300 pounds/sq. foot and includes a hold open arm to keep the door in an open position (only for doors over 16" x 16")



DESCRIPTION AND MATERIAL SPECIFICATION

Material	1/4" Aluminum diamond plate
Hinge	Heavy-duty Aluminum continuous piano hinge, 0.08". Hinges must be located on the second dimension (height)
Lock / Latch	Recessed handle-operated cam latch for floor hatches
Finish	No finish
Packaging	Individually wrapped, 1 door per box
Components	Aluminum stiffeners (only for doors over 24" x 36") Locking arm (only for doors over 16" x 16")

POPULAR OPTIONS

For complete list of options go to cendrex.com

Handle	Key-operated recessed handle cam latch (-100K)
Other	Recessed floor hatch optional - see PPA-RE model



PROJET DATA

Project:	Date:	QTY	W	H
Architech:				
Dealer:				
Contractor:				
Location:				

Tagging instructions:
Special instructions:
Options:
Submittal approval: (Signature or stamp)

OPTIONS

This comprehensive list includes all available options. Please consult our catalog or contact our customer service to verify the feasibility of your chosen combination.

LOW SECURITY LOCKING MECHANISM



- 35** Screwdriver operated cam latch



- 220** Screwdriver operated cylinder Cam latch



- 80** Ring/tool key operated slam latch



- 55** Hex head slam latch and ring key operated slam latch



- 30** Slide latch



- 50** Allen hex head cam latch

HANDLES



- 25** WITH KEY - 4" handle and key operated cam latch



- 100K** Key-operated recessed handle cam latch with cap over key path



- 20** WITHOUT KEY - 4" handle operated cam latch



- 22** WITHOUT KEY - 4" handle operated slam latch



- 21** WITHOUT KEY Fixed 4" handle



- 26** WITHOUT KEY - L handle

MEDIUM SECURITY LOCKING MECHANISM



- 10** Key-operated cylinder cam latch



- 15** Mortise cam latch preparation
- 15C** Mortise cam latch preparation, keyed differently
- 15CKA** Mortise cam latch preparation, keyed alike



- 85** Mortise slam latch



- 85C** Mortise slam latch with cylinder
- 85CKA** Mortise slam latch cylinder keyed alike



- 90** Pinned hex head cam latch



- C** Cylinder cam latch, keyed differently



- CKA** Cylinder cam latch, keyed alike

MATERIALS



- GS** Galvanneal steel



- AL** Aluminum



- SS** Stainless steel



- CR** Cold rolled steel

HIGH SECURITY LOCKING MECHANISM



- 40** Mortise deadbolt lock



- 40C** Mortise Deadbolt Lock with Cylinder, keyed differently



- 40CKA** Mortise deadbolt lock with cylinder, keyed alike



- 99** Inside release thumbturn for mortise deadbolt lock



- 45** Mortise preparation for detention deadbolt lock



- 46** Detention deadbolt lock



- 47** CI Detention deadbolt Key

OTHERS



- 60** Gasket



- 160** Holding cable



- 240** Masonry anchors