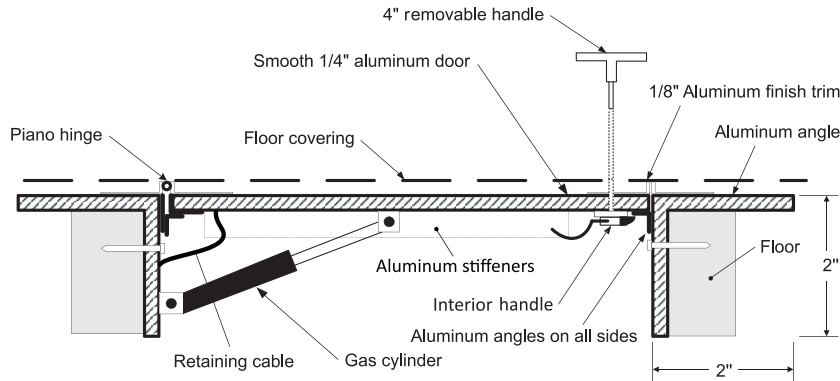
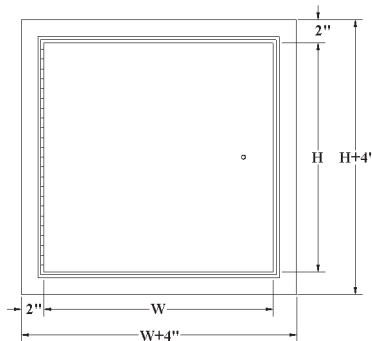


RECESSED ALUMINUM FLOOR HATCH
PPA-RE
INSTALLATION

DIMENSIONS AND APPEARANCE
LEED ready: This product contributes to LEED® credits.

HATCH SIZE - W x H INCHES (MM)	NUMBER OF LOCKS	WEIGHT LBS	KG
24 x 24 (609 x 609)	1	35	15.9
24 x 36 (609 x 914)	1	44	20
Rough floor opening is door size + 1/2" or + 13mm			

**Your odd sizes:
Made in 5 days**


DESCRIPTION AND MATERIAL SPECIFICATION

Material: DOOR: aluminum plate 1/4" (6.35 mm)
FRAME: 2" x 2" x 1/4" aluminum angle

Hinge: heavy duty aluminum continuous piano hinge (0.080")

Lock / latch: 4" removable handle

Recess: 1/4" standard

**POPULAR
OPTIONS**

For complete list of options
go to: www.cendrex.com

Recess: 1/8", 3/8", 1/2" and 3/4"

Caution: The PPA floor access door is designed to support a live load of 300 pounds/sq.foot and includes a hold open arm to keep the door in an open position.

CENDREX PARTNERS

PROJECT DATA

PROJECT NAME:	QTY	W	H	OPTIONS
ARCHITECT:				
DEALER:				
CONTRACTOR:				
LOCATION:	SPECIAL INSTRUCTIONS:			
DATE:				
TAGGING INSTRUCTIONS:	SUBMITTAL APPROVAL: (signature or stamp)			

HEAD OFFICE: 11 303, 26th avenue, Montreal, Quebec, Canada H1E 6N6
WAREHOUSES: California, Colorado, Florida, Illinois, Pennsylvania, Texas

Tel.: 514 493-1489 - 1 800 479-1489
Fax: 514 493-1992 - 1 800 297-1489

www.cendrex.com
info@cendrex.com