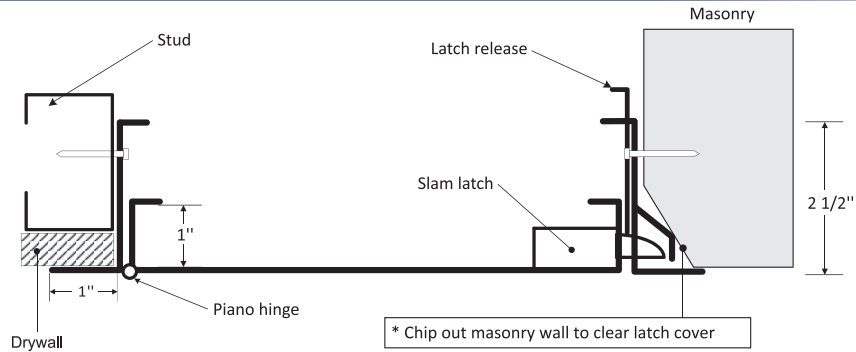
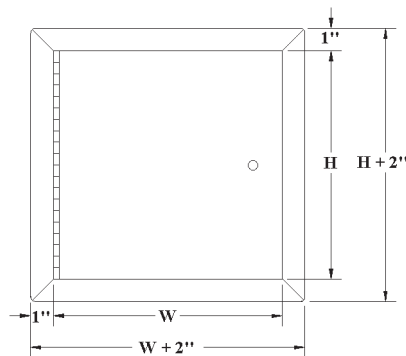


**HEAVY DUTY ACCESS DOOR
FOR LARGE OPENINGS**
LHD
INSTALLATION

DIMENSIONS AND APPEARANCE
LEED ready: This product contributes to LEED® credits.

DOOR SIZE - W x H INCHES (MM)	NUMBER OF LOCKS	WEIGHT LBS	KG
48 x 48 (609 x 914)	2	64	29

Any size made in record time
Rough wall opening = door size + 1/4" or + 6mm

**Your odd sizes:
Made in 5 days**


DESCRIPTION AND MATERIAL SPECIFICATION

Material: 16 gauge cold rolled steel
Hinge: continuous piano hinge
Lock / latch: self latching tool-key operated slam latch and/or ring operated slam latch, both included
Inside panel release: standard on all doors
Finish: high quality white powder coat primer
Packaging : individually wrapped, 1 per box

**POPULAR
OPTIONS**

Material: stainless steel 304 #4 (brushed finish),
Lock / latch: key operated cylinder cam latch, handle operated slam latch, mortise preparation for cylinder (cylinder optional), mortise deadbolt lock
Design: double leaf

**For complete list of options
go to: www.cendrex.com**

CENDREX PARTNERS

PROJECT DATA

PROJECT NAME:	QTY	W	H	OPTIONS
ARCHITECT:				
DEALER:				
CONTRACTOR:				
LOCATION:	SPECIAL INSTRUCTIONS:			
DATE:				
TAGGING INSTRUCTIONS:	SUBMITTAL APPROVAL: (signature or stamp)			

HEAD OFFICE: 11 303, 26th avenue, Montreal, Quebec, Canada H1E 6N6
WAREHOUSES: California, Colorado, Florida, Illinois, Pennsylvania, Texas

Tel.: 514 493-1489 - 1 800 479-1489
Fax: 514 493-1992 - 1 800 297-1489

www.cendrex.com
info@cendrex.com